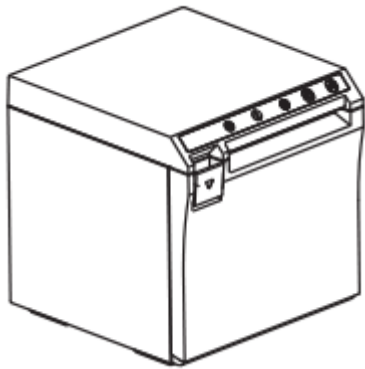


Warning

No part of this manual can be changed without agreement. The company reverses the rights to modify the technology, components, software and hardware. You may ask the distributors for more product information. No part of chapter in this manual can be copied or transmitted in any format without permission

Thermal Receipt Printer

User Manual

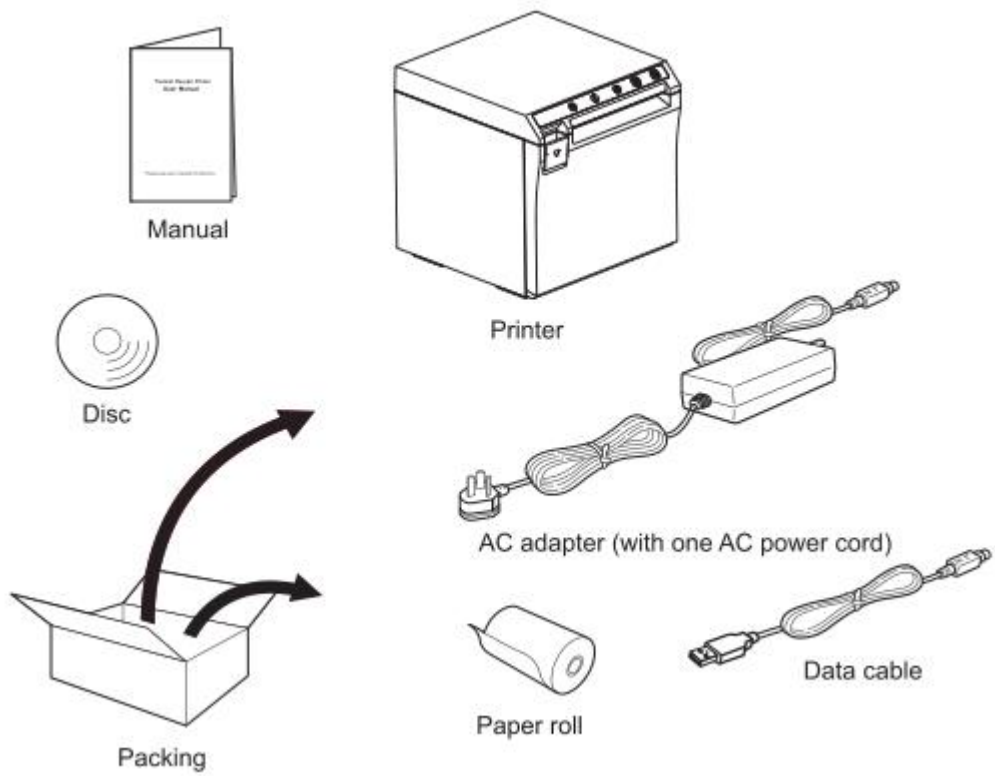


(Picture is only for reference, subject to the actual product)

Please keep user's manual for reference

1. What is in the box

- (1).80mm Thermal Receipt Printer
- (2). AC adapter(with one Ac cable power cord)
- (3). Data Cable except for Ethernet port
- (4). User's Manual
- (5). 80mm roll Paper
- (6). Software Disc(optional)



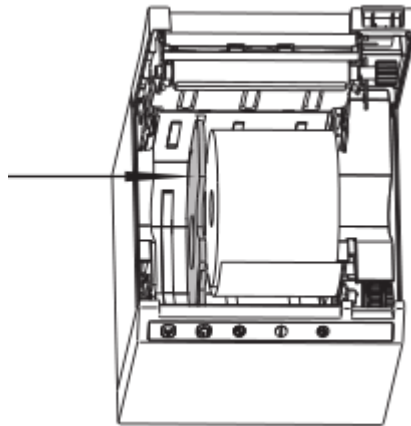
2. Paper roll installation

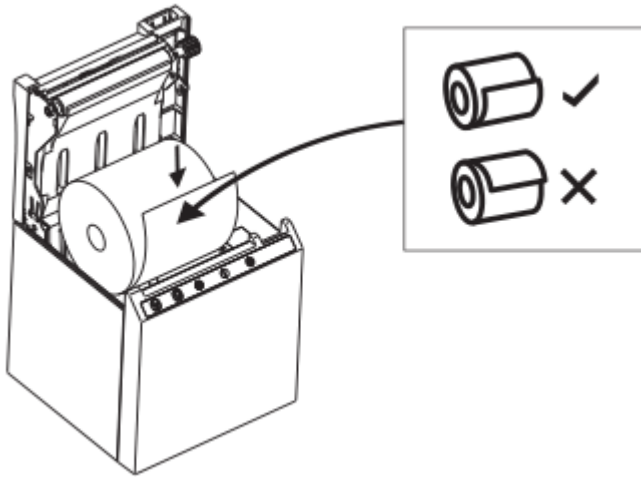
Printer supports 58mm/80mm/82.5mm width thermal paper.

Follow the steps below to install the roll paper:

- (1). Open the roll paper cover
- (2). Insert the roll paper as the following illustration shows
- (3). Pull out a small roll of paper, and close the roll paper cover

The baffle can be adjusted according to the width of the Paper roll






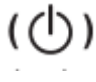
Note: the baffle is installed on the edge of the paper warehouse by default.

3. Function overview


1. Self test instructions: Part names and function

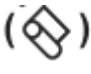
(1) FEED button 

Press this button to feed paper. Keep pressing down to feed paper continuously.

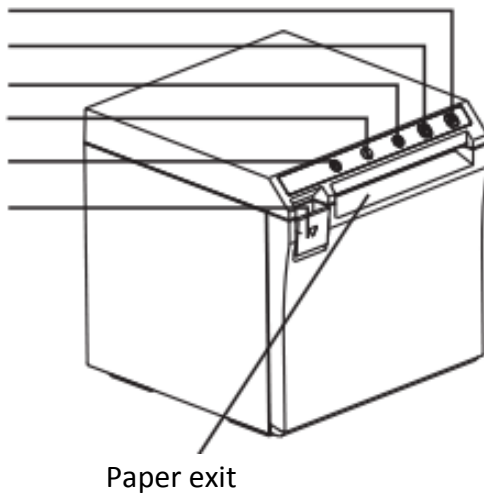
(2) POWER button 

Press this button to turn on/turn off printer.

(3) Status LED 

(4) PAPER LED 

FEED BUTTON
POWER BUTTON
POWER LED
ERROR LED
PAPER LED
Cover open button



Operating Condition	Flash Mode	LED
Closed roll paper cover with paper	<p>The Error LED signal is a solid horizontal line (on). The Paper LED signal is a solid horizontal line (on).</p>	No lights
Closed roll paper cover without paper	<p>The Error LED signal is a solid horizontal line (on). The Paper LED signal is a square wave that pulses on and off. The pulse width is labeled t1, and the interval between pulses is labeled t2.</p>	Paper LED flashing at
Opened roll paper cover without paper	<p>The Error LED signal is a solid horizontal line (on). The Paper LED signal is a solid horizontal line (on).</p>	Error LED and Paper LED on
Opened roll paper cover with paper	<p>The Error LED signal is a solid horizontal line (on). The Paper LED signal is a solid horizontal line (on).</p>	Error LED and Paper LED on
Cutter fails to operate	<p>The Error LED signal is a square wave that pulses on and off at a high frequency. The Paper LED signal is a solid horizontal line (on). The pulse width is labeled t1, and the interval between pulses is labeled t2.</p>	Error LED flashing at a faster speed
Thermal head overtemperature	<p>The Paper LED signal is a solid horizontal line (on). The Error LED signal is a square wave that pulses on and off at a high frequency. The pulse width is labeled t1, and the interval between pulses is labeled t2.</p>	Error LED flashing at a faster speed

(5) POWER LED 

Power LED on represents printer power on; Power LED off represents printer power off.

2. Self test instructions:

Make sure the printer is connected with the power and turn it off. Keep pressing down the FEED button and simultaneously turn on the power. Release FEED button when the ERROR and PAPER LED double- blinking at the same time. The printer will automatically print out self-test paper including its status and configurations

3. How to enter hexadecimal mode

Make sure the printer is connected with the power. Press the Feed button and simultaneously turn on the power. Then wait for the ERROR and PAPER led double- blinking at the same time to release the feed button. then printer enters the hexadecimal mode. There will be message "Hexadecimal dump" printed, which means printer is in hexadecimal dump mode

Note: Press FEED button once to exit hexadecimal dump mode

4. Initialization

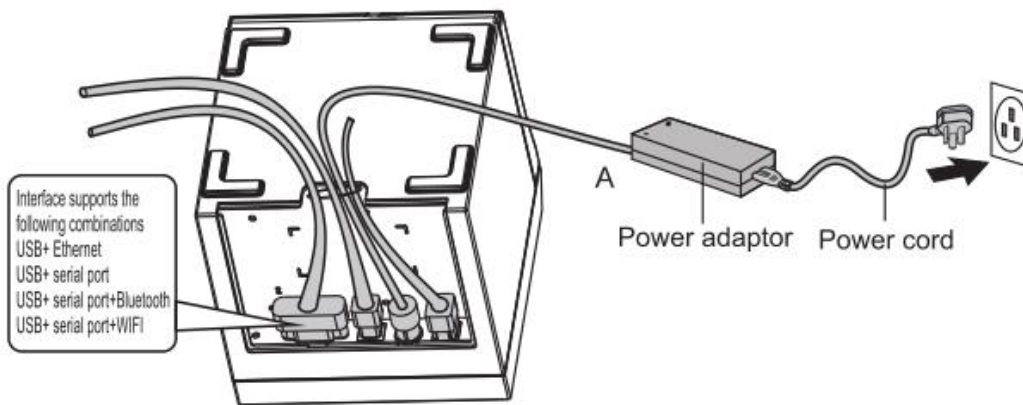
Make sure the printer is connected with the power. Press the FEED button and simultaneously turn on the power. After ERROR and PAPER LED triple-blinking at the same time and buzzer beep release the FEED button. At this time the printer has been initialized and restored the factory settings

4. Connecting the cables

A. Connect the adaptor cable to the printer power interface

B. Connect the data cable to the printer port.

C. Connect the cash draw to the printer.



Cautions.

- (1) Be sure to install your printer on a stable surface and prevent it from vibration and impact
- (2) Do not use and store in locations subject to high temperature, humidity or pollution levels
- (3) Connect the power adapter into a properly grounded outlet. Do not share the same plug socket with large-scale electrical motor or other motors which may cause the power supply voltage fluctuations
- (4) Avoid water or other conducive materials like metal get into the intern of printer. If it happens, unplug the Ac power cord immediately
- (5) Do not print without paper, or it will damage the rubber roller and thermal printhead
- (6) Unplug your printer before leaving it unused for an extended period.
- (7) Never disassemble or modify the printer for repair or reconstruction.
- (8) Be sure to use the original specified power source
- (9) Quality roll paper is recommended for premium printing and product maintenance
- (10) Be sure to turn the product off when plugging and unplugging
- (11) Place the plug socket around the product for convenience
- (12) This product is used only below 5000 meters above sea level in tropical climate conditions

Clearance

Timely clean the printhead if one of the below conditions occurred:

- (1) Unclear printing
- (2) Unclear vertical column in printing paper
- (3) Noisy feeding

Cleaning steps are as follows

- (1) Turn off the printer and open the roll paper cover. Remove the roll paper if any.
- (2) After printing, the thermal head can be very hot. Wait to let it cool before

cleaning

- (3) Clean the thermal elements of the thermal head with a wrung-out cotton moistened with an alcohol solvent
- (4) Wait till the ethanol completely volatilized to close cover. Then print self-test page.

Notice:

- (1) Please make sure power off when maintaining printer.

(2) Don't touch or scratch printing head surface, roller and sensors.

(3) Avoid gas, acetone or other organic solvent.

(4) Wait till alcohol completely volatilized, close top cover and connect power again

Try print self test to make sure it works properly.

